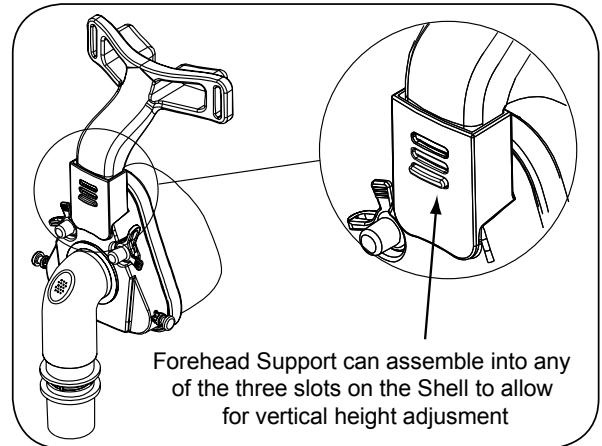




The **Sylent** is a feature-rich Nasal Mask that offers great value. The Sylent features an exhalation port design that allows for an extremely “silent” wearing experience. The Sylent All Sizes Kit contains all of the components required to properly size the patient, eliminating the hassle of opening multiple products to get the right fit.



Product Features

- Self-adjusting flexible forehead support allows for a wide range of angle positions
- Position of forehead support can be adjusted vertically to three (3) different heights
- Cushion inflates to facilitate sealing therefore requiring less headgear tightening
- The headgear features breathable materials and a crowned back strap for comfort
- All cushion sizes fit just one mask shell
- Comes in an All Sizes Kit or in individual Size Systems

Order Information

Part No.	Description	HCPCS Code	Code Description	HCPCS Frequency
SYL200	Sylent Nasal Mask – All Sizes Kit	A7034 + A7035	Nasal interface used with PAP device; Headgear used with PAP device	1 per 3 months + (see below)
SYL201	Sylent Nasal Mask – SM	A7034 + A7035	Nasal interface used with PAP device; Headgear used with PAP device	1 per 3 months + (see below)
SYL203	Sylent Nasal Mask – MD	A7034 + A7035	Nasal interface used with PAP device; Headgear used with PAP device	1 per 3 months + (see below)
SYL211	Sylent Replacement Cushion – SM	A7032	Cushion for nasal interface	2 per 1 month
SYL213	Sylent Replacement Cushion – MD			
SYL230	Sylent Replacement Headgear	A7035	Headgear used with PAP device	1 per 6 months

800-200-9842
www.innomedinc.com

InnoMed
TECHNOLOGIES